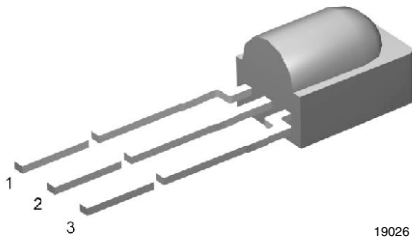




IR Receiver Modules for Remote Control Systems

Vishay offers stock minicast IR receivers in three different packages:

loose packed in tubes, mounted on tape for reel or ammpack, or packed bulk in plastic bags.



FEATURES

- Compliant with RoHS 2002/95/EC and WEEE 2002/96/EC



AVAILABLE FOR:

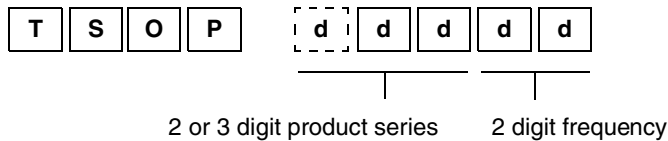
- TSOP381..
- TSOP382..
- TSOP383..
- TSOP384..
- TSOP391..
- TSOP392..
- TSOP393..
- TSOP394..
- TSOP581..
- TSOP582..
- TSOP591..
- TSOP592..
- TSOP98200
- TSOP98260
- TSOP58038



BULK PACKAGING

Standard shipping for minicast is in conductive plastic bags. A maximum of 0.3 % of the components per box may be missing.

ORDERING INFORMATION



Note

d = "digit", please consult the list of available devices create a valid part number.

Example: TSOP8238
 TSOP38138

PACKING QUANTITY

- 250 pieces per bag (each bag is individually boxed)
- 6 bags per carton

Minicast IR Receiver Packaging Options

Vishay Semiconductors

IR Receiver Modules for
Remote Control Systems

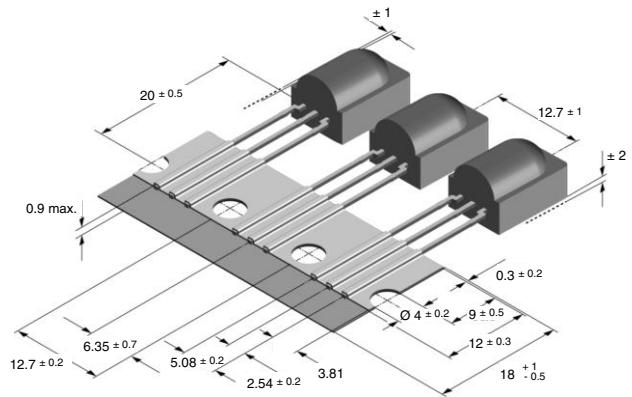
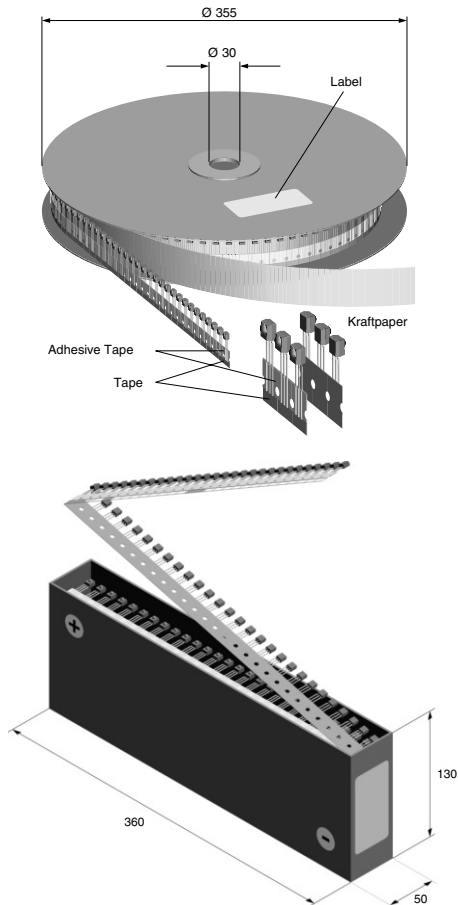


TAPE AND REEL/AMMOPACK

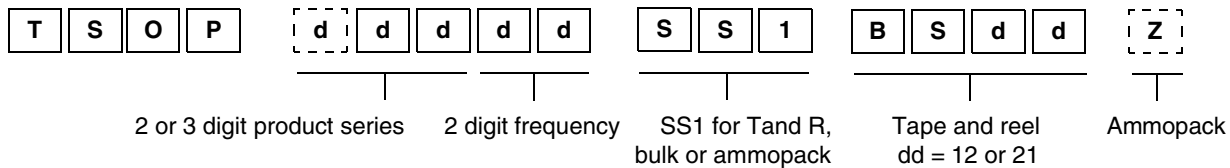
Up to 3 consecutive components may be missing if the gap is followed by at least 6 components. A maximum of 0.5 % of the components per reel quantity may be missing. At least 5 empty positions are present at the start and the end of the tape to enable insertion.

Tensile strength of the tape: > 15 N

Pulling force in the plane of the tape, at right angles to the reel: > 5 N



ORDERING INFORMATION



Note

d = "digit", please consult the list of available devices create a valid part number.

Example: TSOP8238SS1BS12
TSOP38236SS1BS12Z

PACKING QUANTITY

- 1000 pieces per reel
- 1000 pieces per ammopack